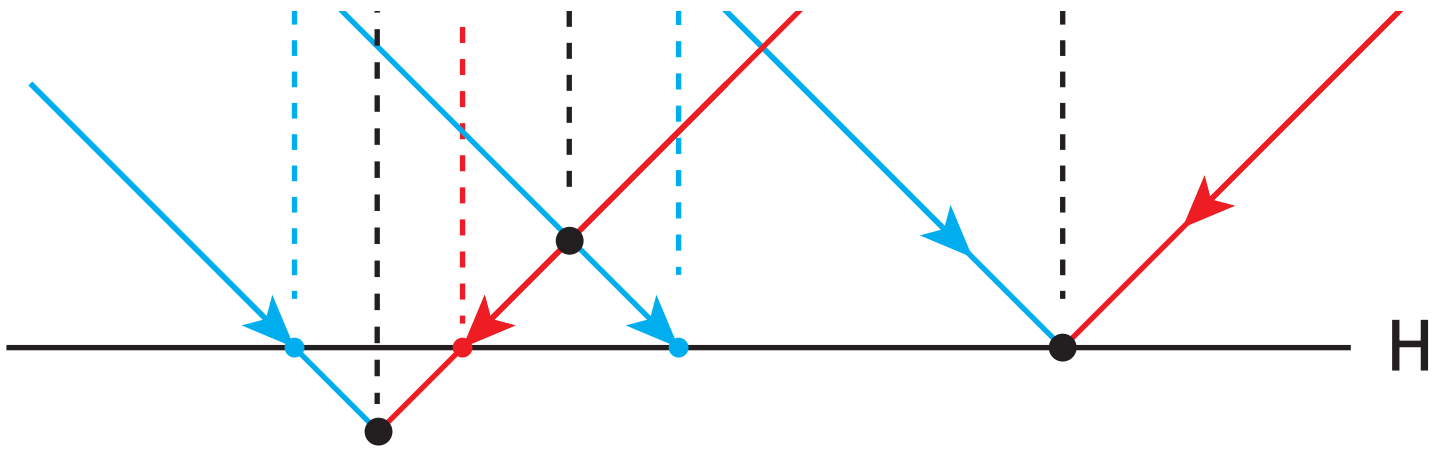
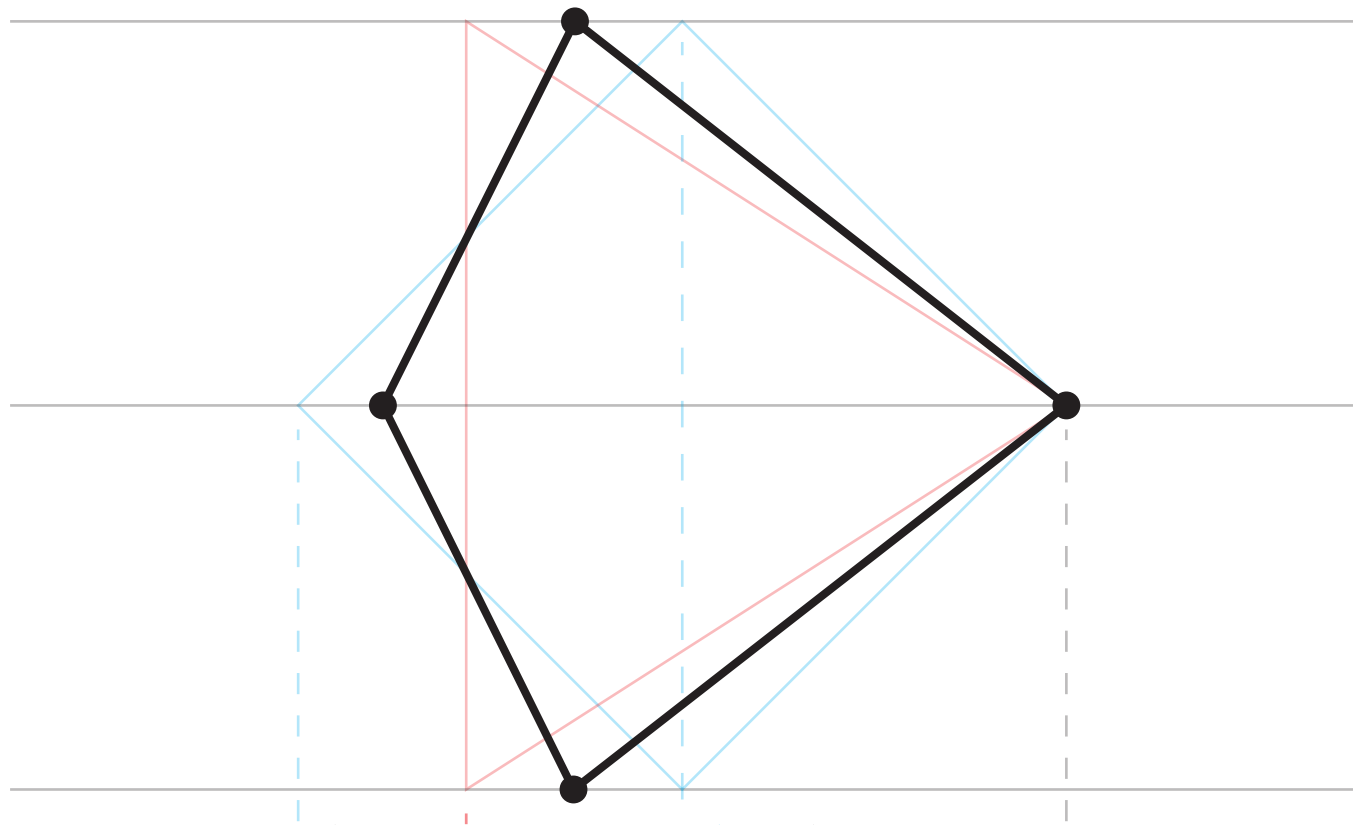


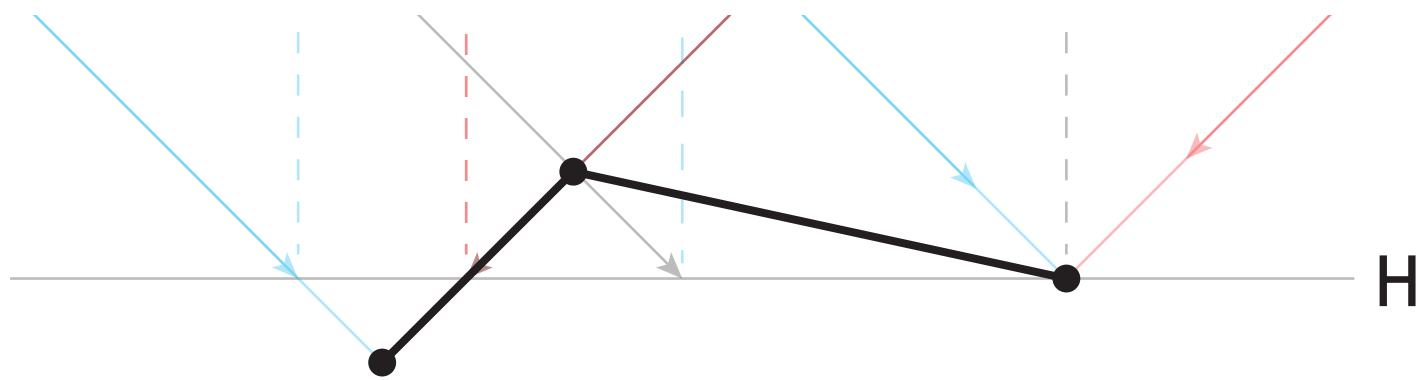
Top View
(平面図)



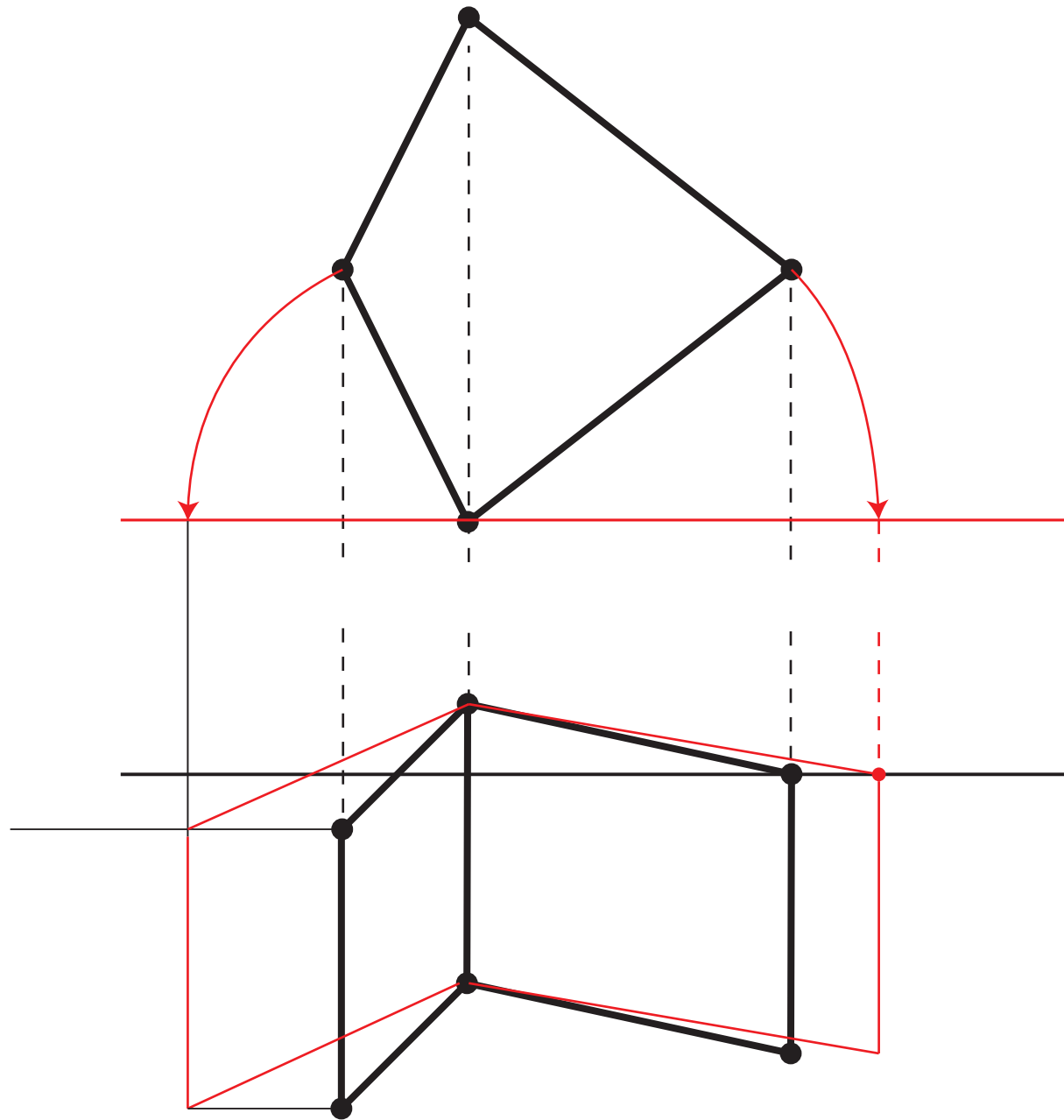
Side View
(側面図)



Top View
(平面図)



Side View
(側面図)

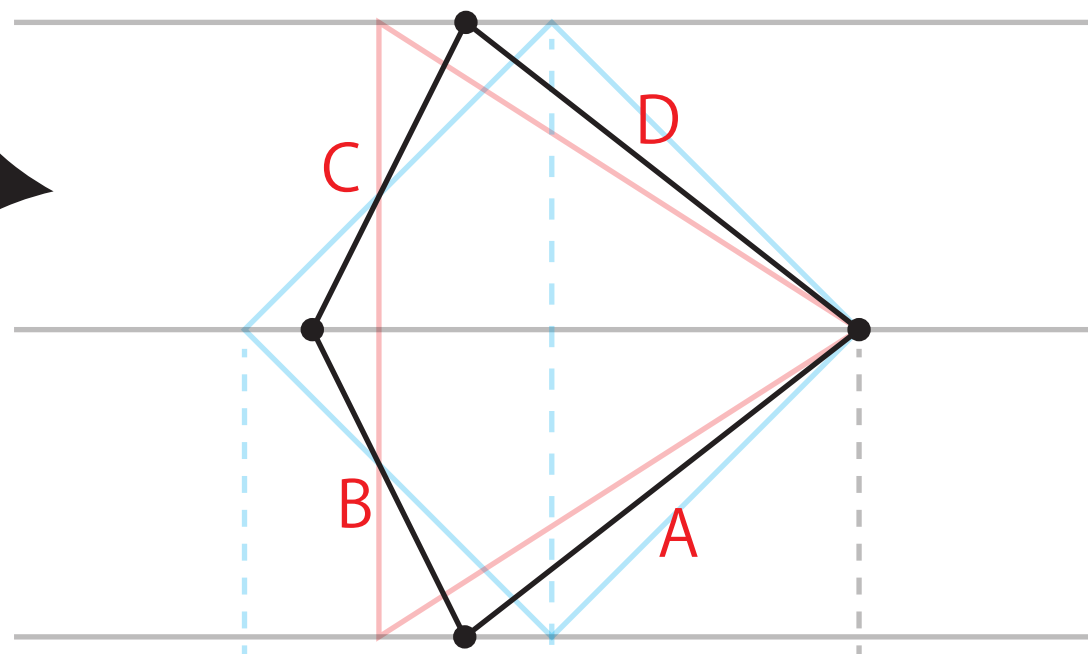


Top View
(平面図)

Side View
(側面図)

H

Section Shape
(断面図)



Unfolded Surface
(展開図)

